



Compressor Selection: Semi-hermetic Reciprocating Compressors

Input Values

Compressor model Mode	(2HC-1.2Y) Refrigeration and Air conditioning	Suction gas temperature Operating mode	20,00 °C Auto
Refrigerant Reference temperature Liq. subc. (in condenser)	R404A Dew point temp. 0 K	Power supply Capacity Control Useful superheat	400V-3-50Hz 100% 100%

Result

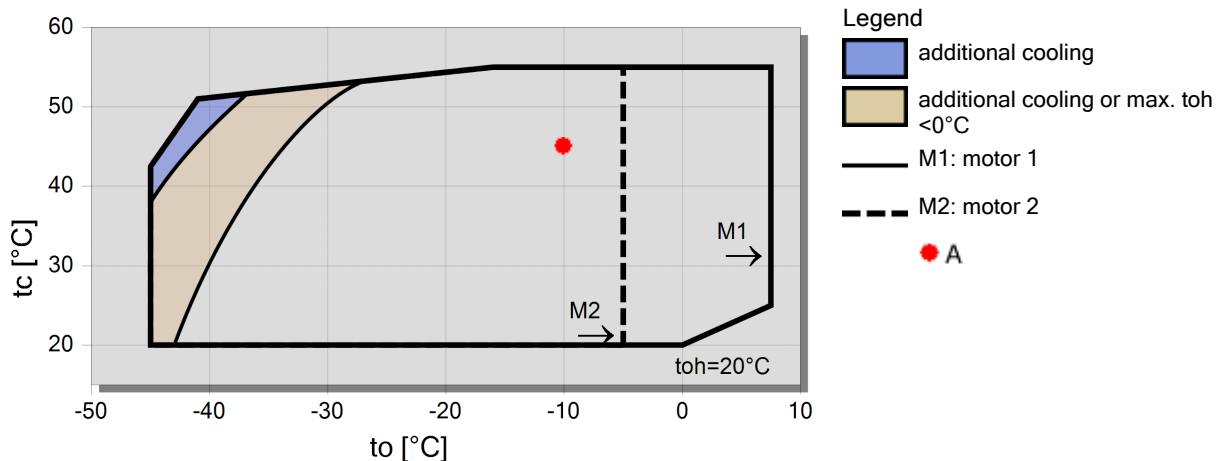
Q [W]	Cooling capacity	COP [-]	COP/EER
Q* [W]	Cooling capacity *	COP* [-]	COP/EER *
P [kW]	Power input	m [kg/h]	Mass flow
I [A]	Current	Op.	Operating mode
Qc [W]	Condenser Capacity	th [°C]	Discharge gas temp. w/o cooling

tc	to	-5°C	-10°C	-15°C	-20°C	-25°C	-30°C	-35°C	-40°C
30°C	Q [W]	4911	4038	3282	2629	2069	1589	1182	839
	Q* [W]	4911	4038	3282	2629	2069	1589	1182	839
	P [kW]	1,38	1,31	1,23	1,14	1,04	0,93	0,82	0,69
	I [A]	2,75	2,66	2,57	2,47	2,36	2,26	2,16	2,06
	Qc [W]	6296	5349	4511	3768	3108	2522	1999	1532
	COP [-]	3,55	3,08	2,67	2,31	1,99	1,71	1,45	1,21
	COP* [-]	3,55	3,08	2,67	2,31	1,99	1,71	1,45	1,21
	m [kg/h]	123,4	100,4	81,0	64,4	50,4	38,5	28,5	20,2
	Op.	Standard	Standard	Standard	Standard	Standard	Standard	Standard	Standard
	th [°C]	72,6	80,0	88,1	97,3	107,9	120,4	135,4	0
40°C	Q [W]	4090	3343	2695	2135	1652	1240	889	594
	Q* [W]	4090	3343	2695	2135	1652	1240	889	594
	P [kW]	1,59	1,47	1,35	1,21	1,08	0,94	0,79	0,64
	I [A]	3,00	2,85	2,70	2,55	2,40	2,26	2,14	2,02
	Qc [W]	5678	4813	4040	3349	2731	2177	1679	1229
	COP [-]	2,58	2,27	2,00	1,76	1,53	1,32	1,13	0,93
	COP* [-]	2,58	2,27	2,00	1,76	1,53	1,32	1,13	0,93
	m [kg/h]	115,8	93,6	74,7	58,7	45,2	33,7	24,1	16,00
	Op.	Standard	Standard	Standard	Standard	Standard	Standard	Standard	Standard
	th [°C]	85,0	92,6	101,0	110,6	121,6	134,8	0	0
50°C	Q [W]	3290	2668	2126	1657	1253	907	613	366
	Q* [W]	3290	2668	2126	1657	1253	907	613	366
	P [kW]	1,76	1,60	1,43	1,26	1,09	0,91	0,73	0,55
	I [A]	3,21	3,01	2,80	2,60	2,41	2,24	2,09	1,96
	Qc [W]	5051	4266	3557	2918	2341	1819	1346	915
	COP [-]	1,87	1,67	1,49	1,31	1,15	0,99	0,84	0,67
	COP* [-]	1,87	1,67	1,49	1,31	1,15	0,99	0,84	0,67
	m [kg/h]	107,9	86,4	68,1	52,6	39,5	28,4	19,09	11,33
	Op.	Standard	Standard	Standard	Standard	Standard	Standard	Standard	Standard
	th [°C]	97,9	105,8	114,6	124,7	136,7	0	0	0

-- No calculation possible (see message in single point selection)

*According to EN12900 (20°C suction gas temp., 0K liquid subcooling)

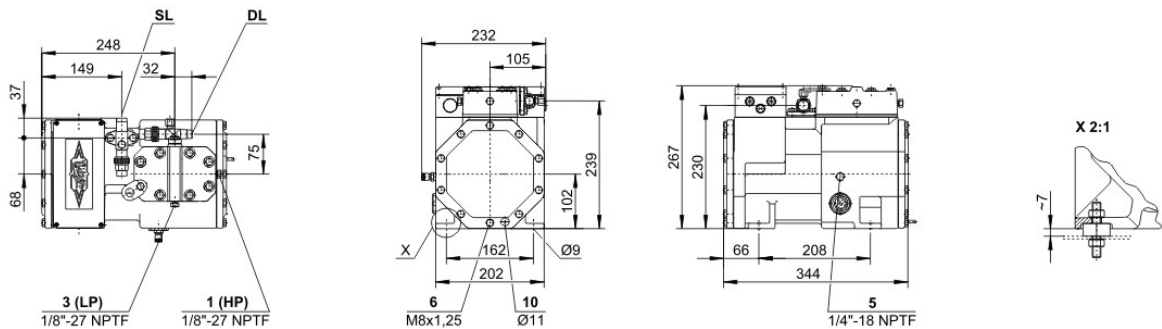
Application Limits 100% Octagon





Technical Data: (2HC-1.2Y)

Dimensions and Connections



Technical Data

Technical Data

Displacement (1450 RPM 50Hz)	6,51 m ³ /h
Displacement (1750 RPM 60Hz)	7,86 m ³ /h
No. of cylinder x bore x stroke	2 x 38 mm x 33 mm
Weight	44 kg
Max. pressure (LP/HP)	19 / 28 bar
Connection suction line	16 mm - 5/8"
Connection discharge line	12 mm - 1/2"
Oil type R134a/R407C/R404A/R507A/R407A/R407F	tc<55°C: BSE32 / tc>55°C: BSE55 (Option)
Oil type R22 (R12/R502)	B5.2 (Standard)
Oil type R290/R1270	SHC226E (Standard)

Motor data

Motor voltage (more on request)	380-420V Y-3-50Hz
Max operating current	3.5 A
Starting current (Rotor locked)	16.7 A
Max. Power input	2,0 kW

Extent of delivery (Standard)

Motor protection	SE-B1
Enclosure class	IP65
Vibration dampers	Standard
Oil charge	1,00 dm ³

Available Options

Additional fan	Option
Crankcase heater	0..60 W PTC (Option)

Sound measurement

Sound power level (-10°C / 45°C)	64,5 dB(A) @ 50Hz
Sound power level (-35°C / 40°C)	62,5 dB(A) @ 50Hz
Sound pressure level @ 1m (-10°C / 45°C)	56,5 dB(A) @ 50Hz
Sound pressure level @ 1m (-35°C / 40°C)	54,5 dB(A) @ 50Hz